



TD26

Recessed Downlight

Utilizing the most advanced power LEDs from worldwide renowned companies, Ledion Lighting TD26 downlight integrates electrical, optical, and thermal management aspects of LEDs, while at the same time remain slim and compact in size.

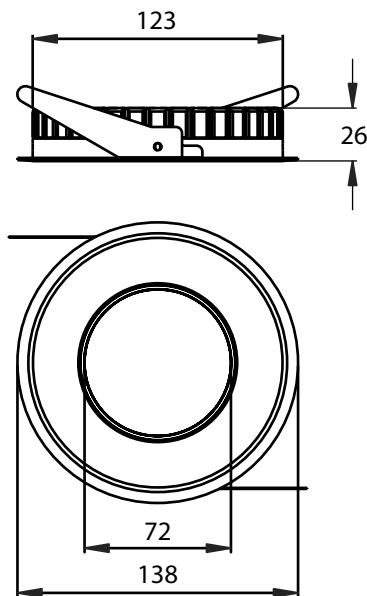
TD26 is built specifically to model under limited space where traditional lighting fixtures are too large to fit in.

- Solid State Lighting Technology
- Decrease Energy Consumption
- Reduce CO₂ Emission
- Superior Quality Light
- Ecologically Friendly
- Slim and Compact
- 3 Year Limited Warranty

Table of Contents

- Dimensions..... 2
- Specifications..... 2
- Illuminance and Beam Angles..... 3
- Light Patterns..... 3
- Lifetime..... 4
- Application Notes..... 4

Dimensions



Unit: mm
Tolerance: ±2.5 mm

Figure 1: TD26 Recessed Downlight dimensions

Specifications

TD26 Recessed Downlight	
Power Consumption	10 Watt
Field Angle	25° / 40°
Color Temperature	3000 / 4000 / 6000K
CRI	Up to 90
Surface Temperature(Ta=25°C)	56°C
Weight	< 390 g
Driver	500mA / 12W

Table 1: TD26 Recessed Downlight specifications

Illuminance and Beam Angles

• Cool White

Power Consumption	Part Number	CCT(Typ.)	Cone Beam Angle	Lux*@ 1m (Typ.)
10W	LR-TD26-102100	6000K	25°±2.5°	2850
	LR-TD26-104100		40°±1.5°	1650

• Neutral White

Power Consumption	Part Number	CCT(Typ.)	Cone Beam Angle	Lux*@ 1m (Typ.)
10W	LR-TD26-102200	4000K	25°±2.5°	2400
	LR-TD26-104200		40°±1.5°	1300

• Warm White

Power Consumption	Part Number	CCT(Typ.)	Cone Beam Angle	Lux*@ 1m (Typ.)
10W	LR-TD26-102300	3000K	25°±2.5°	2000
	LR-TD26-104300		40°±1.5°	1000

Table 2: TD26 Recessed Downlight illuminance and beam angles

Notes:

1. Lux value is measured under thermal balanced condition. (i.e. after 1 hour continuous operation)
2. LED is a dynamic and constantly evolving technology. The final lux output of your TD26 Recessed Downlight may vary.
3. Input voltage = AC 100~240V

Light Patterns

• 25°



• 40°

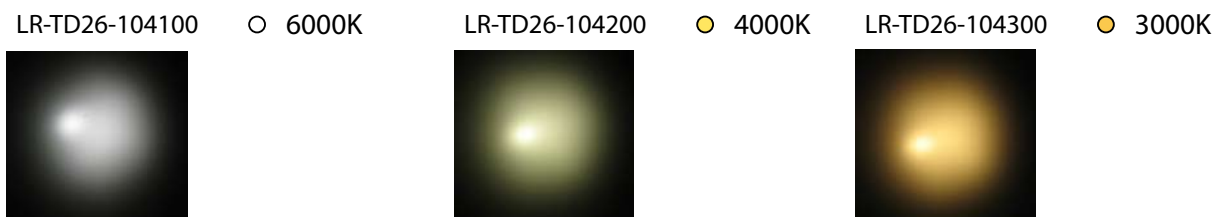


Figure 2: TD26 Recessed Downlight light patterns of different color temperature

Lifetime

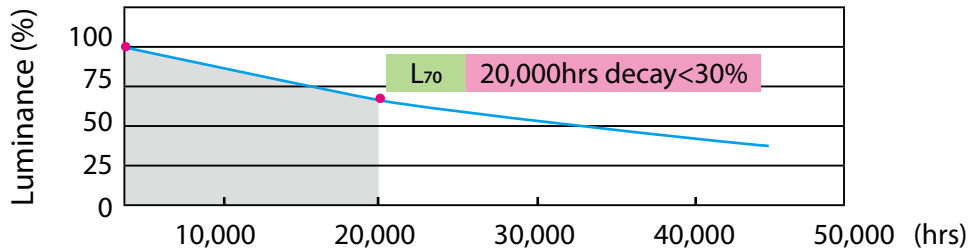
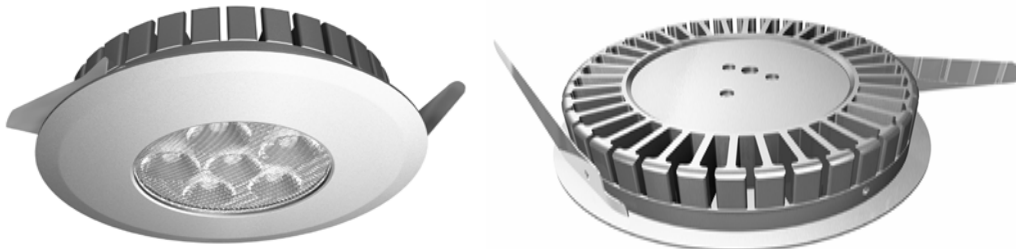


Table 3: TD26 Recessed Downlight Lifetime

Application Notes

The compact and integral design of the TD26 Recessed Downlight make it ideal for a wide variety of lighting applications, including retail store spotlight, ceiling downlight, as well as many other accent lightings.



Various color temperature and beam pattern options are suitable for an array of scenarios.



Note : As part of its policy of continuous research and development, Ledion Lighting reserves the right to change or withdraw specifications without prior notice.